

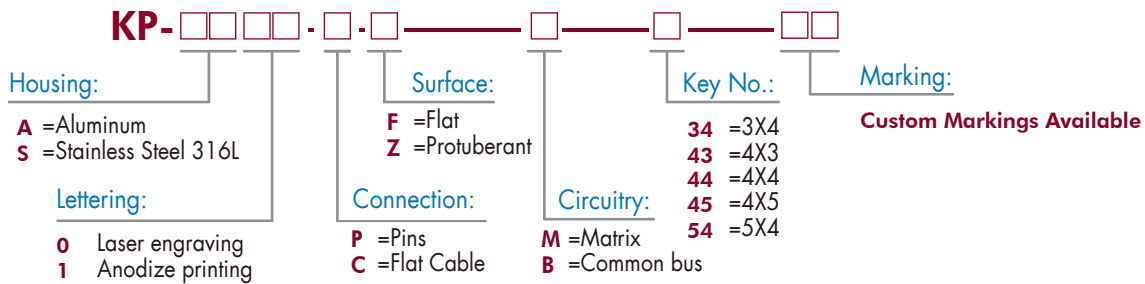
langir[®]

Keypads

www.piezo-switch.com

Features:

Maximum reliability and durability, Ideal for use in rough environments.
 IP68 Dust and water resistant, Sea-water and detergent resistant.
 No moving part, maintenance free.
 Made of one piece of solid metal, totally rugged.
 Potted switching unit at rear seals against all contamination and prevents freezing.
 Flexible anodize print or laser engrave layout.



Electrical Specifications:

Switching voltage max.: 24VDC
 Switching current max.: 200mA
 Lifetime electrical: 15mill.
 Insulation resistance (OFF = not actuated): > 5mΩ
 Initial contact Resistance (ON = actuated): < 7.5Ω

Mechanical Data:

Actuating force: 5-15N
 Temperature: -40 to +125°C
 Protection class: IP68

Other Data:

Materials Front Panel Stainless Steel, Aluminum
 Lettering Laser engraving/anodize printing



Dimensions: first dimensions are in mm while inches are shown as bracketed numbers.
 Tolerance: The general tolerance for dimensions in this brochure is ± 0,3 (.012).
 Dimensions, specifications and data shown in this brochure are subject to change without notice.



Mounting accessories standard hardware supplied :4 screws and 1 Sealing



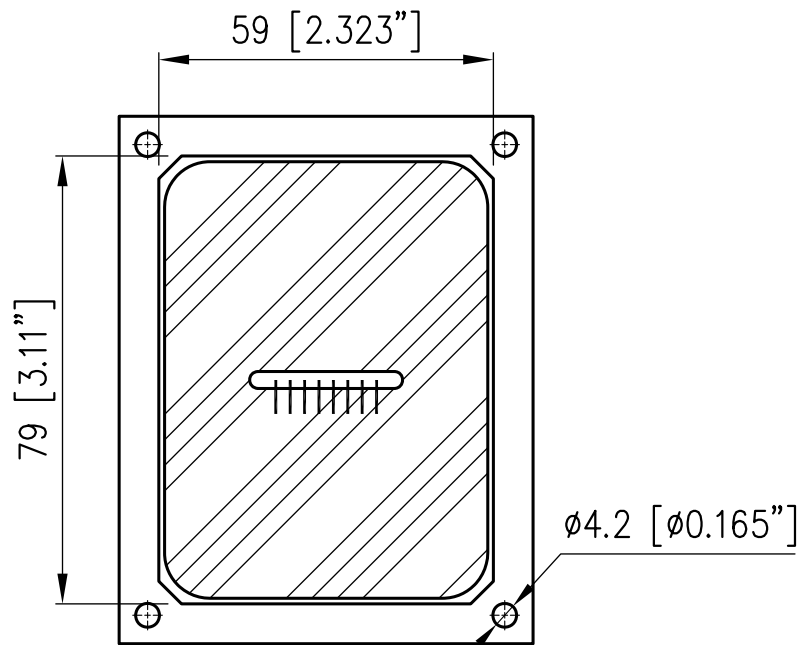
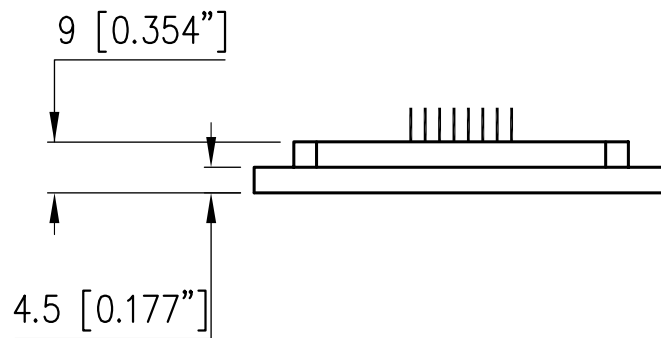
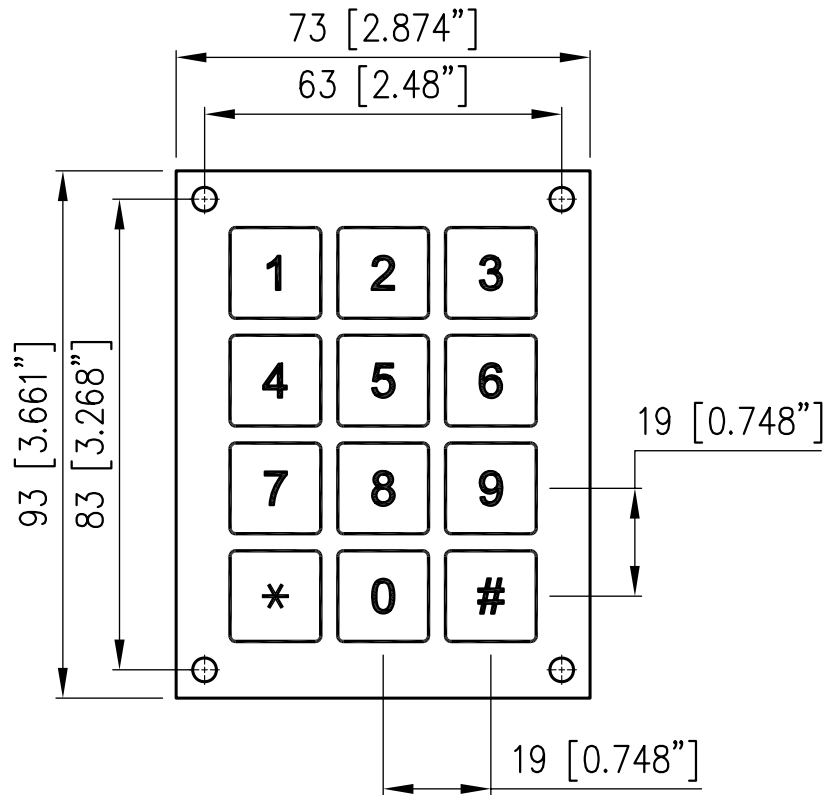
Packaging unit: 1 pieces

For options not listed above, please contact LANGIR.

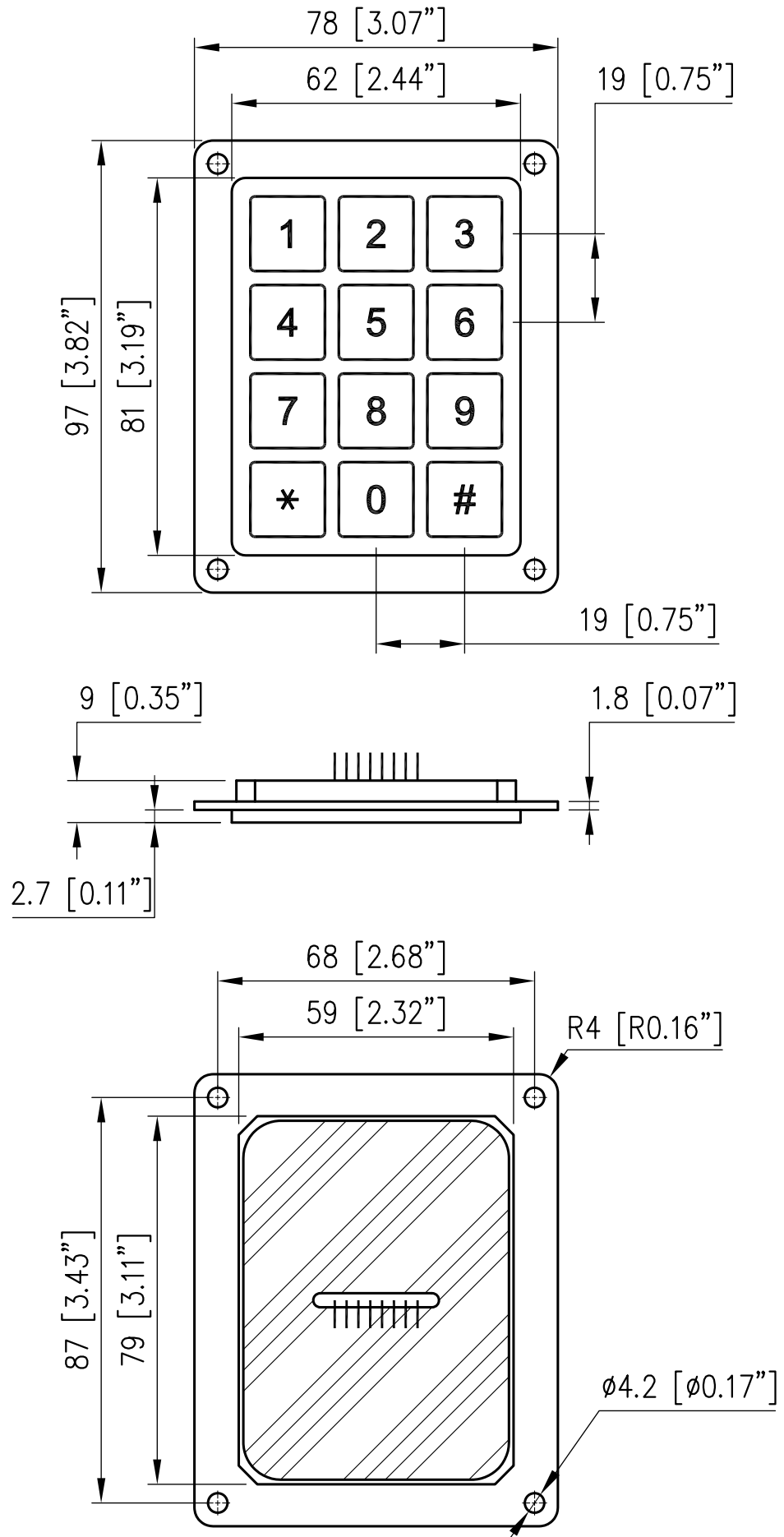
The appearance of the products listed on this file, color, parameters are for reference only, issued a kind of LANGIR Company shall prevail.

LANGIR Company reserves the right to modify or cancel the relevant parameters of this file does not advance notice.
 If in doubt, please contact customer service hotline.

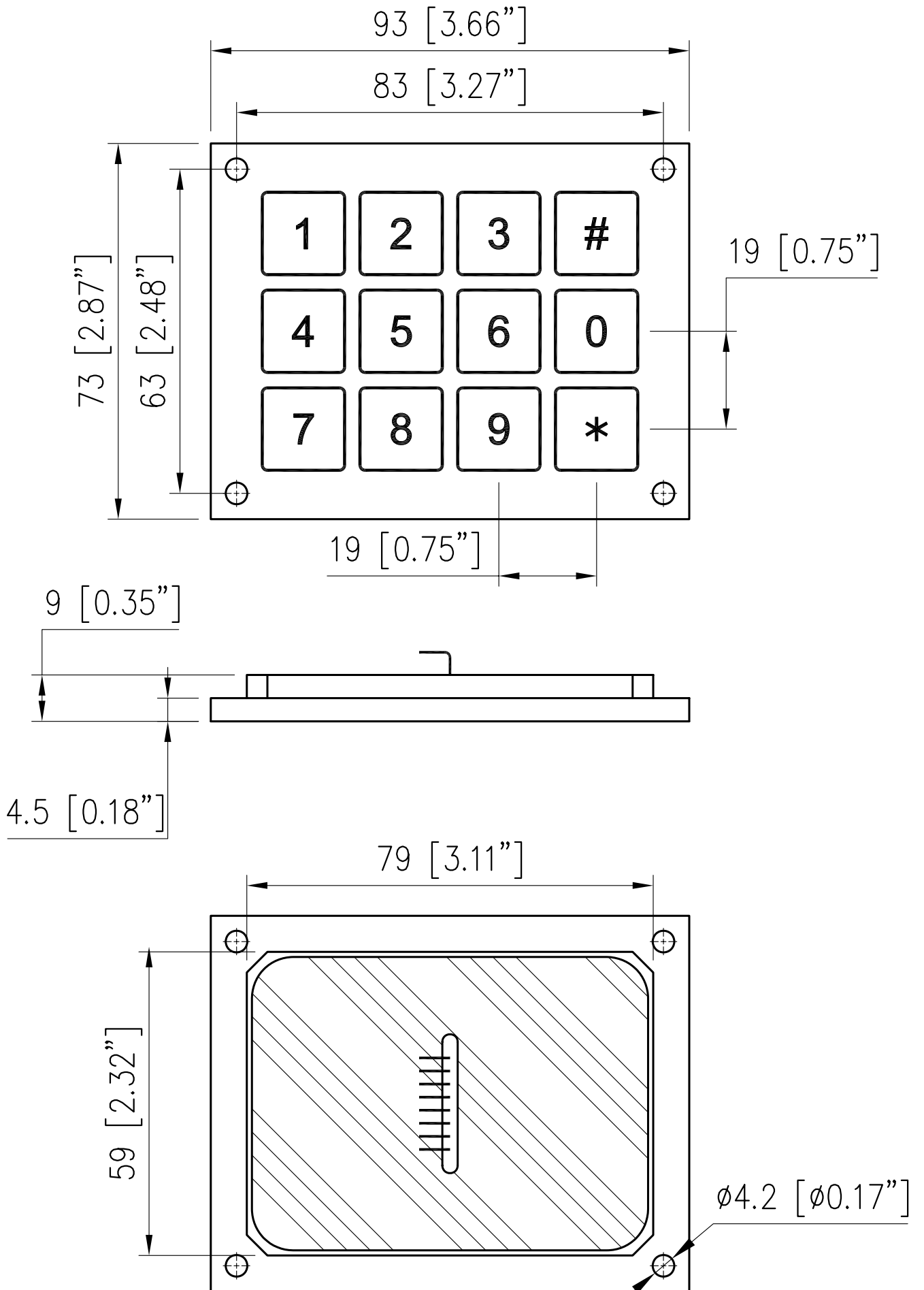
KPF34

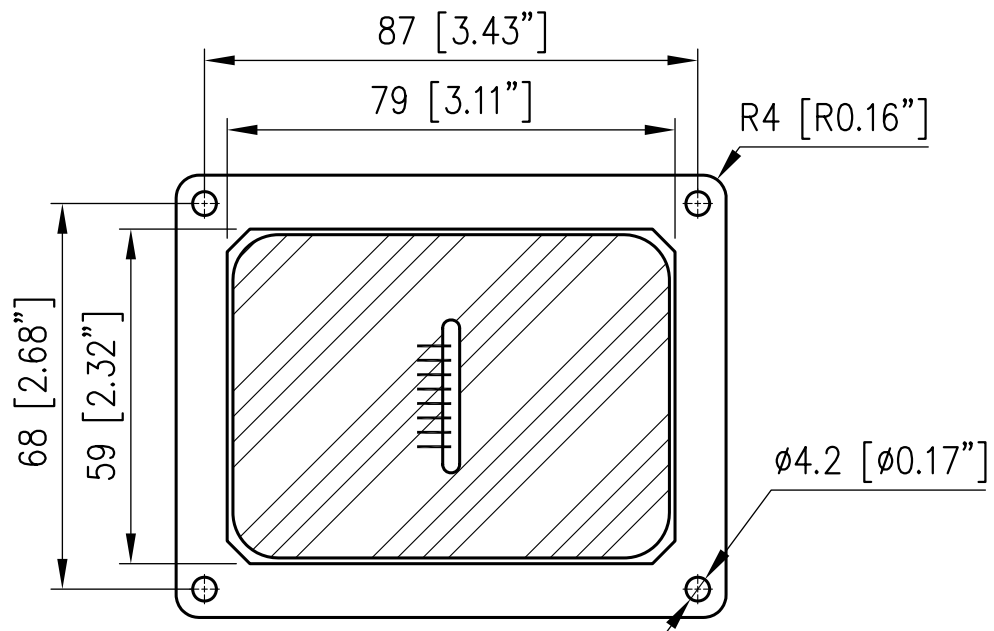
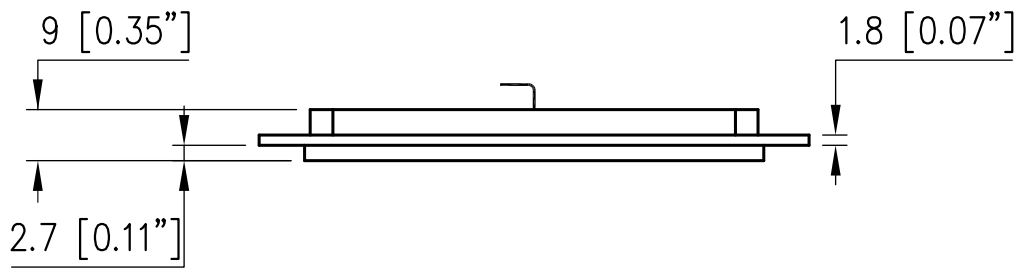
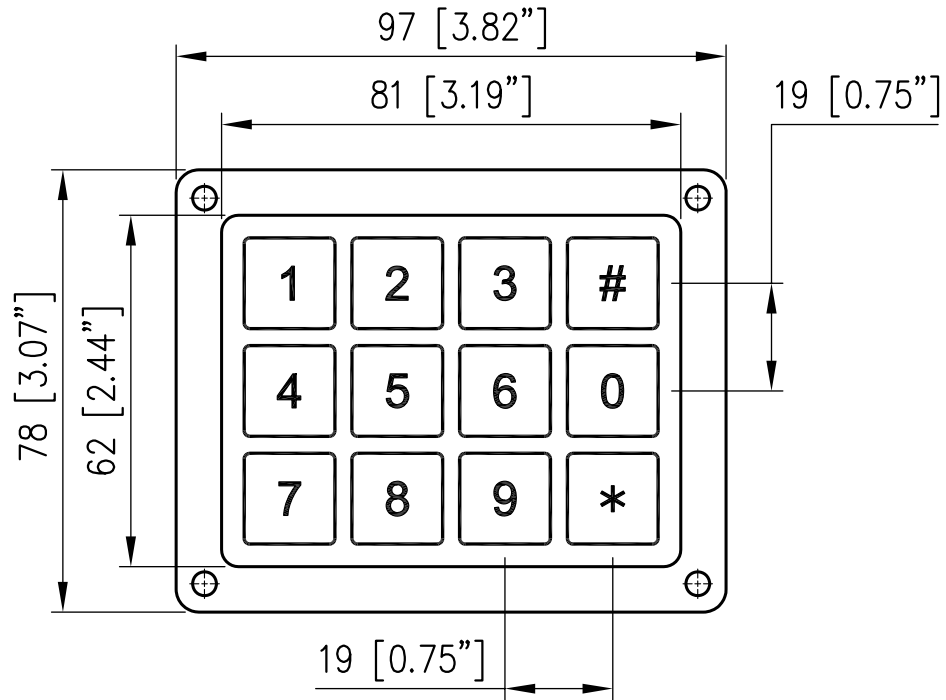


KPZ34

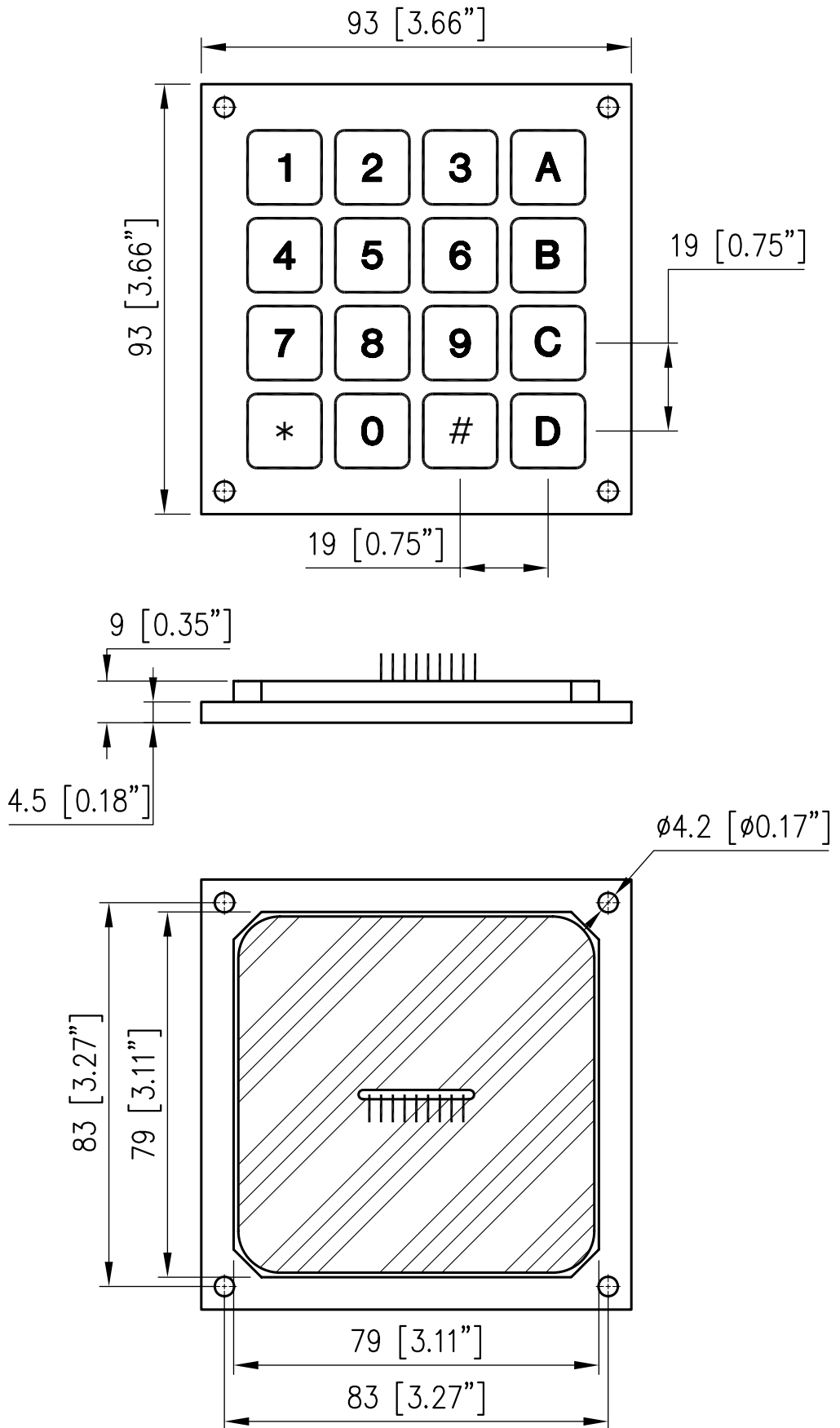


KPF43

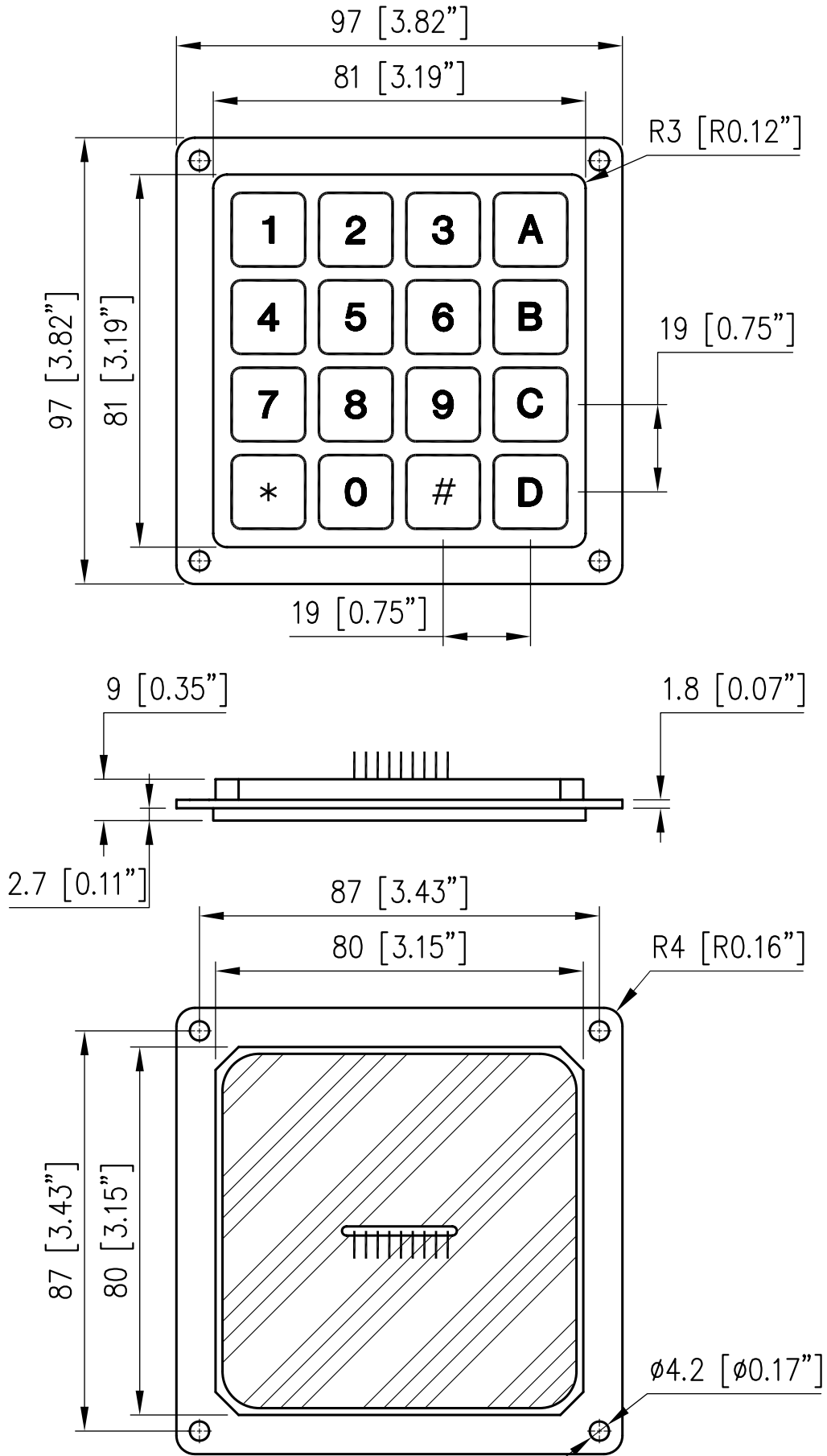




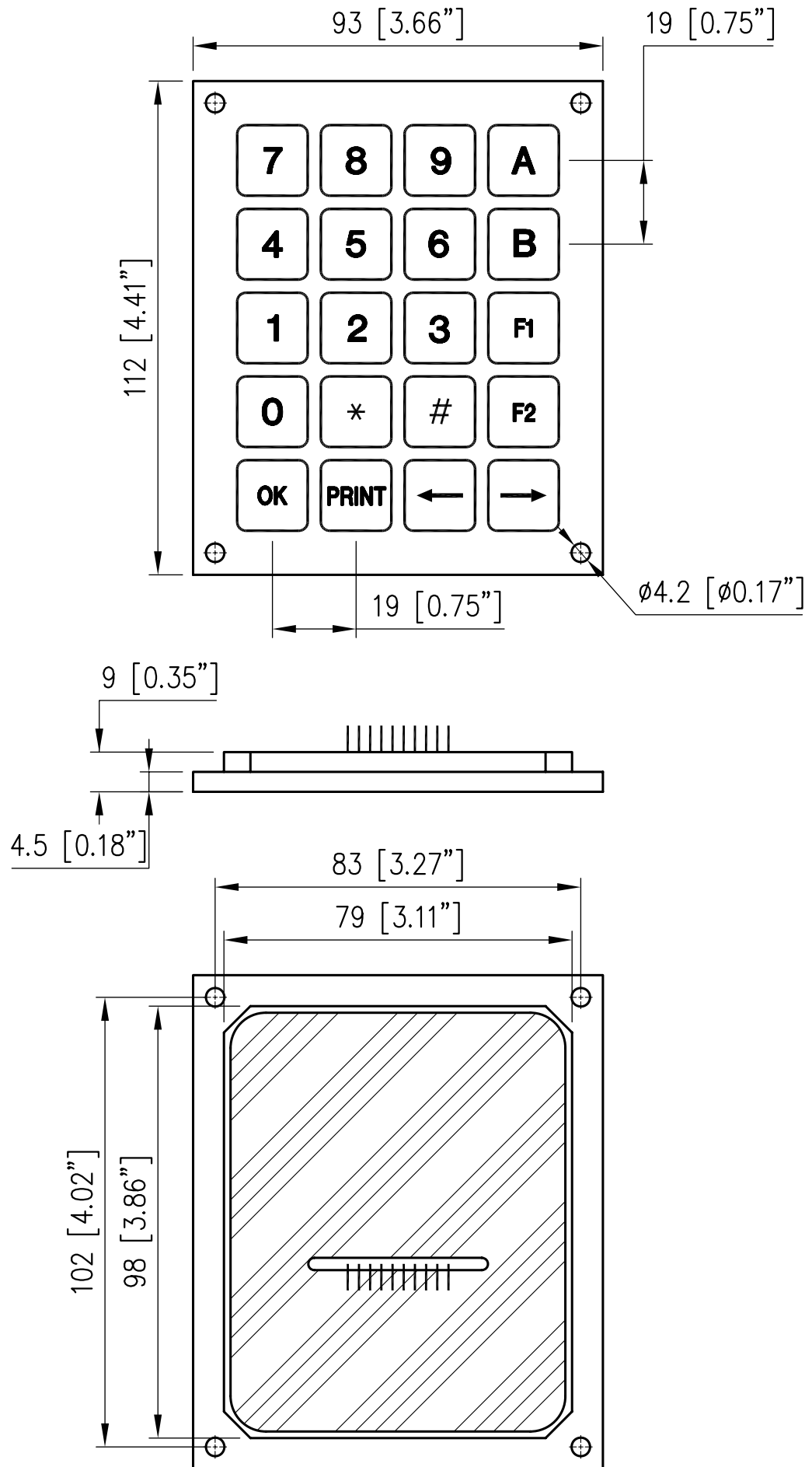
KPF44

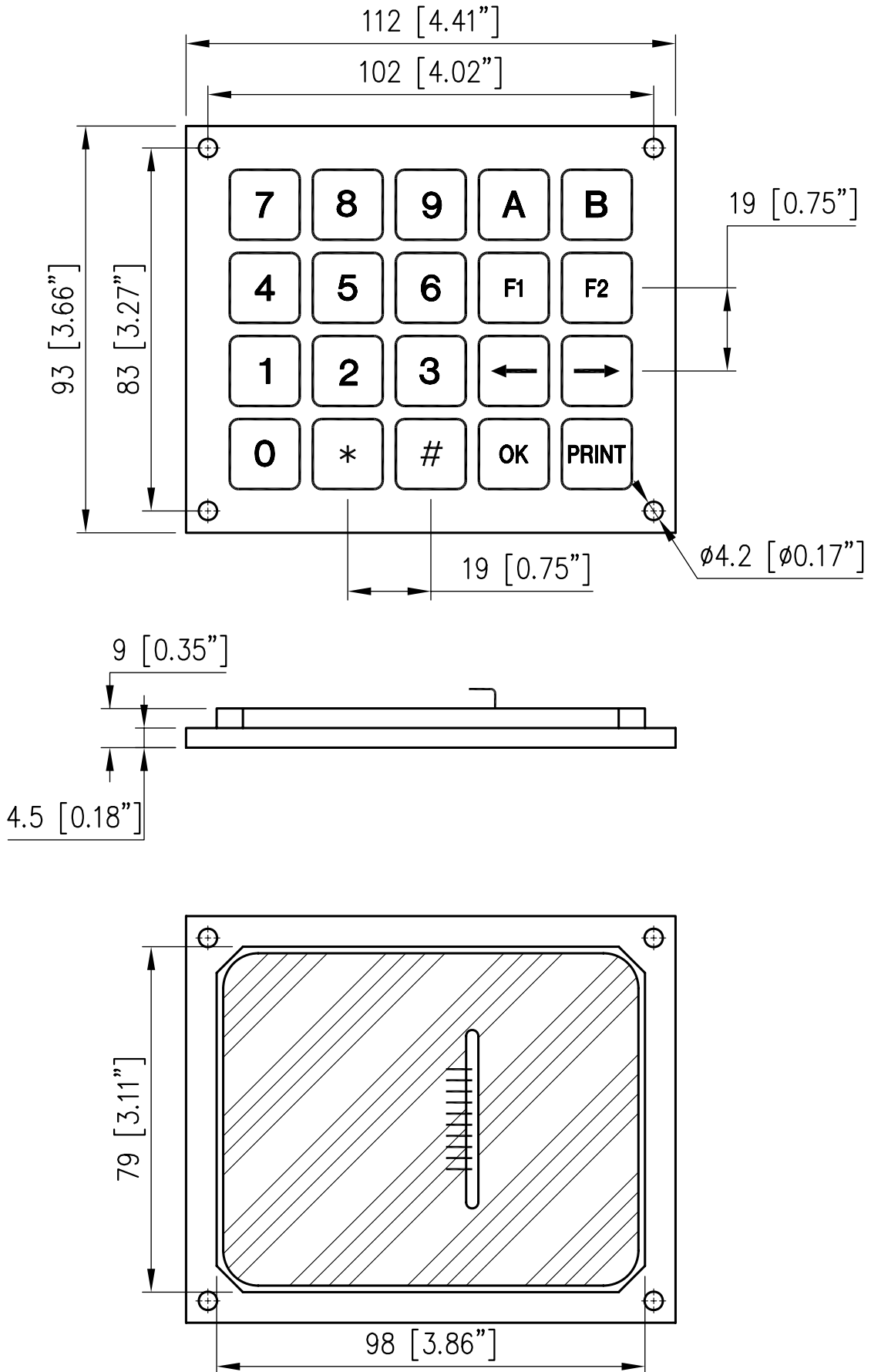


KPZ44

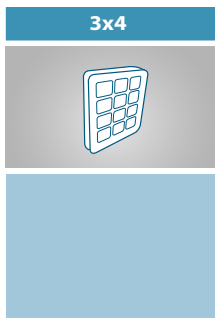


KPF45

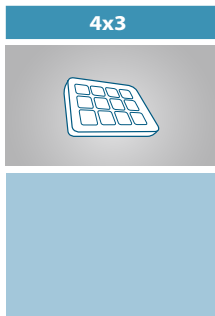




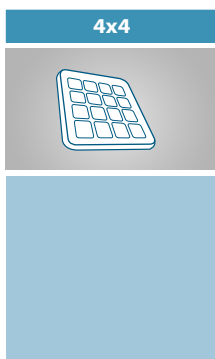
Terminal locations for Matrix



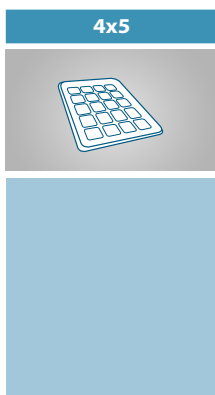
		1	2	3	4	5	6	7	8	9	*	0	#
PIN	1	■	■	■									
	2				■	■	■						
	3							■	■	■			
	4										■	■	■
	5	■			■			■			■		
	6		■			■		■				■	
	7			■			■			■			■



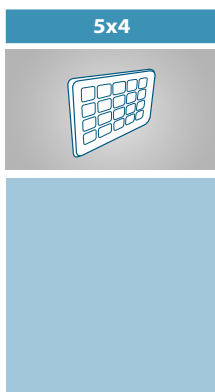
		1	2	3	4	5	6	7	8	9	*	0	#
PIN	1	■			■			■					
	2		■			■		■					
	3			■			■			■			
	4										■	■	■
	5							■	■	■	■		
	6				■	■	■					■	
	7	■	■	■									■



		1	2	3	A	4	5	6	B	7	8	9	C	*	0	#	D
PIN	1	■	■	■	■												
	2					■	■	■	■								
	3									■	■	■	■				
	4													■	■	■	■
	5	■				■				■					■		
	6		■				■				■				■		
	7			■				■				■					■
	8				■				■				■				



		A	B	F1	F2	→	9	6	3	#	←	8	5	2	*	Print	7	4	1	0	OK	
PIN	1	■	■	■	■	■																
	2						■	■	■	■	■											
	3											■	■	■	■	■						
	4																	■	■	■	■	■
	5	■						■					■					■				
	6		■						■					■					■			
	7			■						■					■					■		
	8				■						■					■					■	
	9					■						■					■					■



		A	B	F1	F2	→	9	6	3	#	←	8	5	2	*	Print	7	4	1	0	OK	
PIN	1	■	■				■					■					■					
	2			■	■				■				■					■				
	3					■			■		■			■						■		
	4									■					■	■				■	■	
	5																	■	■	■	■	
	6													■	■	■	■					
	7							■	■	■	■											
	8	■		■								■										■
	9		■		■	■											■					

© Copyright Yueqing LANGIR Electric Co.,Ltd. All Right Reserved.

Disclaimer: The appearance of the products listed on this catalogue, color, parameters are for reference only, issued a kind of LANGIR Electric Company shall prevail.

LANGIR Electric Company reserves the right to modify or cancel the relevant parameters of this catalogue does not advance notice. If in doubt, please contact your sales representative.



YUEQING LANGIR ELECTRIC CO., LTD.

ADD: 4F, NO. 188 LIUQING NORTH RD, LIUSHI, YUEQING, ZHEJIANG, CHINA 325604

FAX: 86 (577) 62737671

TEL: 86 (577) 62737672 62737670

MAIL: langir@langir.com

Http://www.langir.com